

Welcome to the smiling world of SOREDEX™

**CRANEX™**  
**Novuse**

**Easy as a breeze**

 **SOREDEX**

[soredex.com](http://soredex.com)



## Benefits at a glance

### Excellent

- Fast scanning times are convenient for the patient and expedite treatment planning
- High image quality with fast scan programs
- Advanced spinal compensation yield better visualization of anterior teeth
- Optimized and automatic image processing

### Easy

- ClearTouch™ Control panel with self-explanatory symbols
- Automatic kV selection based on selected program
- Stable patient support keeps patient steady during exposure

### Efficient

- Made to fit - compact design and small footprint
- Fast scanning times result in minimized radiation doses and reduce the potential for movement artifacts
- Simple to use Ethernet connection to your PC or network
- Easy to install and maintain



## Essential part of your daily patient care

CRANEX™ Novus e is a fast and easy-to-use digital panoramic unit designed for dental offices that demand first-class 2D images.

CRANEX™ Novus e provides excellent image quality and enhanced operation with the ClearTouch™ control panel.

Designed for fast operation and easy workflow, CRANEX™ Novus e delivers maximum efficiency.





## Easy operation with stable patient positioning

The fast exposure times and easy operation of CRANEX™ Novus e can dramatically improve the workflow in your practice.

It takes only 9 seconds to take a panoramic exposure on adults and 8 seconds for a child. Easy and fast 4-step operation allows for instant image evaluation and optimized workflow.

### Simplified workflow

- ClearTouch™ control panel
- Fast 4-step operation
- Automatic exposure values based on the chosen program
- Instant image evaluation
- Optimized workflow

### Stable and accurate patient positioning

- 5-point head support with bite block for patient stability
- Familiar three laser lights for positioning accuracy
- Hinged mirror for positioning ease
- Easily adjustable, self-locking temple supports
- Rigid patient handles with integrated chin rest
- Easy access for handicapped or wheelchair-bound patients



## Fast imaging – only 9 seconds

### Adult panoramic program

The standard program for panoramic examinations.



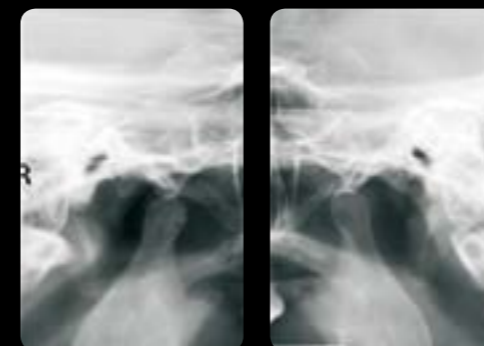
### Child panoramic program

A program for children and small adults, with automatically reduced imaging time and patient dose.



### Bitewing program (optional)

The Bitewing program allows bitewing examinations with panoramic positioning.



### TMJ program

Allows for mouth open and/or closed evaluation of the TMJ anatomy.

### Sectional Imaging (optional)

Any combination of 1 to 5 panoramic image sections can be selected. This reduces the patient radiation dose as only the region of interest is exposed.



# Technical data



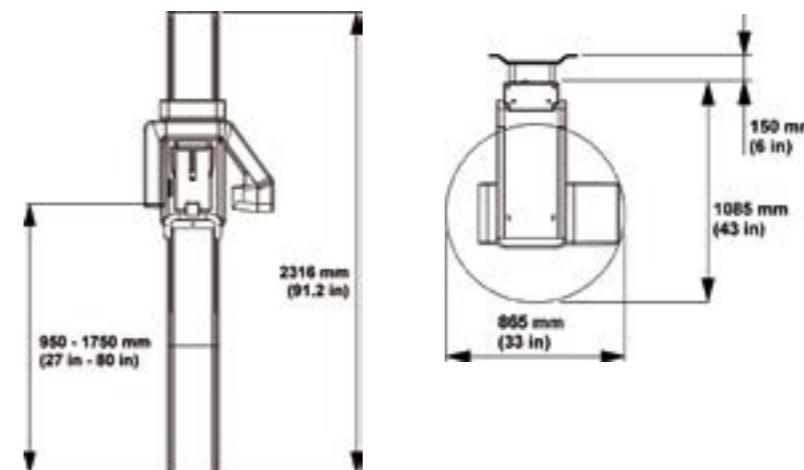
Easy as a breeze

*"Taking an image with CRANEX™ Novus e is smooth and easy. Its small size and attractive appearance gives the patient the impression of a reliable and easy examination."*

*Whether the patient is large or small, tall or short, edentulous or with teeth, the imaging always succeeds with CRANEX™ Novus e. The most important is to position patient precisely and relaxed to correct position.*

*I highly recommend CRANEX™ Novus e, as it facilitates and speeds up my tasks, and saves time for other important duties."*

*Radiographer, CRANEX™ Novus e user*



## Technical Data

Generator	High frequency DC generator
Focal spot size	0.5 mm
Minimum total filtration	2.6 mm Al
Anode voltage	63-77 kV
Anode current	10 mA (8mA in 100 VAC)
Line voltage	220 -240 VAC, 100 -120 VAC (50/60 Hz)
Electrical safety classification	IEC 60601-1 class 1/B
Sensor	CCD
Active sensor surface	147.5 x 6.1 mm
Sensor pixel size	48 µm
Image pixel size	96 µm
Image resolution	6.25 lp/mm
Image field height	147 mm
File size	max: 9.5 MB
PC connection	LAN/Ethernet
Exposure time	9 s adult, 8 s child panoramic
Weight	120 kg (265lbs)
Color	RAL 9003, RAL 9006

## Workstation PC requirements\*

Operating system	Windows 8/8.1, Windows 7, Windows Vista
------------------	---

\* For full details on supported PC requirements, please contact your local distributor for the latest information.

## Flexible adaptation to a clinic's software environment

SCANORA™ SW, DIGORA™ for Windows and CV XV (North American market) offer a comprehensive set of imaging tools to assist you with your daily imaging needs. Flexible software options include standard single-user and optional network multi-user versions.

Optional DICOM services integrate CRANEX™ Novus e seamlessly into a PACS/ DICOM environment. SOREDEX™ TWAIN integrates CRANEX™ Novus e with 3rd party software supporting the TWAIN standard.

In addition to SOREDEX™ software, CRANEX™ Novus e is integrated with many practice management and 3rd party imaging software.

CRANEX™ Novus e has a simple-to-use Ethernet connection to your PC or network.

With SOREDEX's 40 years of experience in developing state-of-the-art dental panoramic systems, CRANEX™ Novus e provides you with a compact, direct digital panoramic system, as part of the famous CRANEX™ family.



Welcome to the smiling world of SOREDEX™

# CRANEX™ Novuse

**Head office and factory:**

**Soredex**

Nahkelantie 160, Tuusula  
FI-04300 Tuusula  
Finland  
Tel. +358 10 270 2000  
Fax +358 9 701 5263  
info@soredex.com

**Soredex**

11727 Fruehauf Drive  
Charlotte, NC 28273  
U.S.A  
Tel. 800-558-6120  
Fax. 877-292-6050  
Email: KKG.Imaging.CS@kavokerrgroup.com

**Soredex Germany**

Schutterstrasse 12  
77746 Schutterwald  
Germany  
Tel: +49 (0) 781 28 41 98-0  
Fax: +49 (0) 781 28 41 98-30  
kontakt@soredex.de

Digital imaging  
made easy™

Soredex designs, manufactures and markets easy to use and innovative imaging solutions for dental and maxillofacial professionals. SOREDEX™ portfolio covers wide range of applications from intraoral, panoramic, cephalometric extending to large field-of-view cone beam CT for demanding ENT and CMF diagnostics. Close co-operation with imaging professionals give us deep insight of how to incorporate true diagnostic value to clinical work.

Our products are known for reliability, simplified workflow and excellent image quality. We are committed to fulfill these promises today and in the future.

SOREDEX™/CRANEX™/SCANORA™/ClearTouch™/Digital imaging made easy™ is registered trademark or trademark of Soredex in the United States and/or other countries. Other product names and trademarks are the property of their respective owners. CE-marked, NB (CE) number 0537. Electrical safety meets the IEC 60601-1 standard. Manufacturing complies with ISO 13485:2003, ISO 9001:2008 and ISO 14001:2004.

Soredex reserves the right to make changes in specifications and features shown herein at any time without notice or obligation. Contact your Soredex representative for the most up-to-date information.

© 2015 Soredex

[www.soredex.com](http://www.soredex.com) • [www.soredex.de](http://www.soredex.de) • [www.soredex.com/usa](http://www.soredex.com/usa)

209045-5 10/15 Printed in Finland

 **SOREDEX**